



Epson ColorWorks C3500 Color Label Printer & Supplies

An affordable and versatile color label printing solution for business.



+1 (877) 842-8486
10-8707 Dufferin St, Suite 415
Thornhill ON L4J 0A6
sales@argonstore.ca

EPSON[®]
EXCEED YOUR VISION

Features and Pricing



EPSON TM-C3500

NAME BADGE, WRIST BAND & COLOR LABEL PRINTER

PRICE: [\$ 2,499.00]
or \$52/month*

- Pigment Inkjet Label Printer with Built in Cutter
- Print Resolution up to 360 x 720 dpi
- Up to 4 inches per second print speed
- 4 Individual ink cartridges (CMYK)
- Easily adjustable to handle 1.2" to 4.4" wide media
- GHS BS5609 Certified

With Epson's ColorWorks C3500 inkjet label printer, you can dramatically reduce label costs, increase operational efficiencies and print high-quality, durable labels on demand in four colors (CMYK) at speeds of up to 4 inches per second.

SKU	Printer / Ink	CAD Price
C31CD54A9991	TM-C3500 Color Label Printer	\$ 2,499.00
C33S020581	Ink Cartridge - Cyan	\$ 26.00
C33S020583	Ink Cartridge - Yellow	\$ 26.00
C33S020582	Ink Cartridge - Magenta	\$ 26.00
S33S020577	Ink Cartridge - Black	\$ 26.00
C33S020580	Epson C3500 Maintenance Box	\$ 44.00
ECTMB-I	Spare in the Air Warranty - 3 Years Max	\$ 145.00
ECTME2-II	Spare in the Air Warranty - Year 4 or 5	\$ 455.00

*All monthly payments are based on a business lease for 60 month and subject to OAC.

PEACE OF MIND COMES STANDARD

Epson Standard Depot Warranty

All Epson printers come with a one-year standard manufacturer's warranty. Many problems can be resolved over the phone. When this is not possible, defective printers can be dropped off or shipped to your nearest Epson depot for repair. Upon receipt of the printer, Epson will then perform the repairs and ship the printer back to you.

Epson Spare-in-the Air (SITA)

The upgraded Spare-in-the-Air warranty is an affordable choice when you cannot afford to have your label printer out of service for longer than 24 hours. This quick, overnight replacement program bridges the gap between the turnaround time of depot repair and the higher cost of onsite service.

Customers using label printers alongside manufacturing lines can't afford printer downtime. The Spare-in-the-Air warranty system brings assurance to industrial customers, such as bakeries producing baked goods each day, that label production can continue.

With Spare-in-the-Air, if the issue cannot be resolved over the phone, Epson will ship a replacement unit overnight to arrive the next day. From there, you'll return the damaged unit to Epson. It's that easy – and shipping both ways is covered by Epson.



BarTender by Seagull Scientific

BarTender by Seagull Scientific BarTender 2016 by Seagull Scientific offers label and barcode design and printing features such as label templates, label design wizards, included shapes and symbols, and barcoding and serialization capabilities. 30 Day Free Trial Available at DuraFastLabel.ca/bartender



SKU	Printer / Ink	CAD Price
BT16-BSC	Bartender - Basic	\$ 360.00
BT16-PRO	Bartender - Professional	\$ 695.00

NiceLabel Barcode Software

NiceLabel 2017 Designer Pro comes with templates, wizards, barcodes, and symbols as well as advanced designed features. Not only can you quickly create a compliant barcode or label, this label design software can be used to design RFID labels. 30 Day Free Trial Available at DuraFastLabel.ca/nicelabel

SKU	Printer / Ink	CAD Price
NLDEXX001S	NiceLabel - Basic	\$ 350.00
NLDPXX001S	NiceLabel - Professional	\$ 685.00

Roll to Roll System for Epson TM-C3500 printer

The rewinder and unwinder for Epson TM-C3500 printers are used to manage rolls of media up to 5" (127mm wide) having an outside diameter up to 10" (254mm). Units are equipped with adjustable core holder 1.57" (40mm) - 4.64" (118mm).

To guarantee an aligned media path in the system, the junction plate is used to connect the rewinder and unwinder together.

An external power supply 100/240VAC - 2.5A at 24V allows an electronic circuit to provide, through the tension arm, the adjustment of the rotation's speed and rotation's direction. A 2A fuse is used as protection.



SKUs	Printer / Ink	CAD Price
EPS35-JPL	Epson TM-C3500 Junction Plate for use with Unwinder & Rewinder	\$ 199.00
ASS1111-S0	Epson TM-C3500 Label Unwinder with 3" Core Holder	\$ 999.00
ASD1111-S0	Epson TM-C3500 Rewinder with 3" Core Holder	\$ 999.00
TM-C3500RKit	Epson TM-C3500 Label Rewinder, Unwinder & Junction Plate	\$ 1,899.00
UNWINDER-BG	Core holder for TM-C3500	\$ 67.95

Types of Labels

Label Orientation

Continuous Roll

When using continuous label rolls, you can use the cutter to cut the desired label length. So, if you use the 4 x 100 feet continuous roll, you can print 4x1, 4x2, 4x6, or 4x12 labels, as required for your business. The only difference between the die cut and the continuous roll labels is that they will have square corners.

Die Cut Rolls

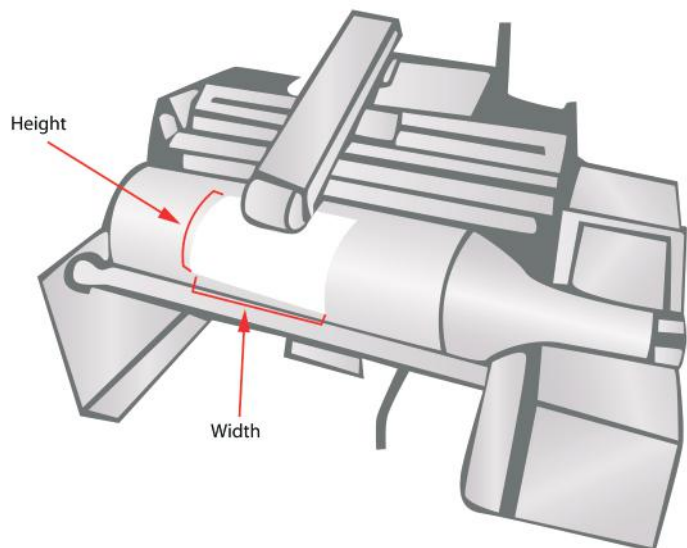
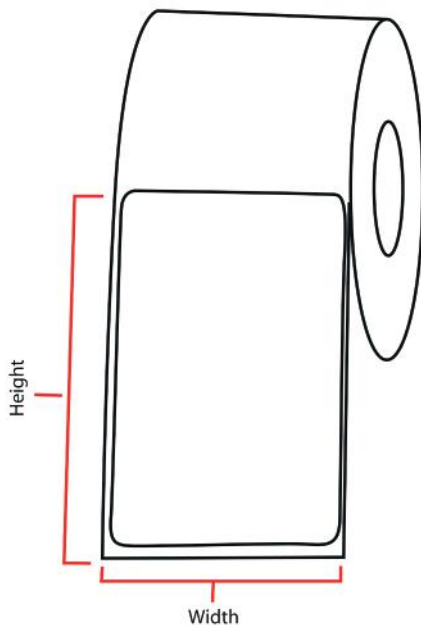
Die Cut usually means that the label is cut out with a cookie cutter to create the shape that you want the label to be. Die cut may mean your label or tag will have rounded corners as opposed to square corners (which are often called butt or kiss cut). One advantage of die cut is that, in most cases, the label is easier to apply. Our Die Cut labels are in a variety of different sizes for all your label needs – Circle, Ovals, Square and Rectangle.

Fan Fold Labels

Fan-fold labels make a neat concise stack and are easy to store, handle and ship. No special equipment is required to dispense the fan-fold labels into the printer.

UP Labels

UP Labels are also categorized by the number of labels across the width of the roll. 1 UP labels take up the full width of the roll. 2 UP labels are labels that cover half of the width of the roll, while 3 UP labels take UP a third of the roll and have three labels across the roll.



The width is the measurement spanning across the width of the label roll and the height is the measurement off the label on the roll as it winds around the label roll.

Tags and Wristbands...

High Gloss Tags and Name Badges

High gloss tag stock is made from coated, heavy paper and does not have an adhesive backing. With their smooth, glossy surface and bright white finish, these high gloss tags are ideal for printing color event tickets, name badges, security badge, retail tags, shelf tags, marketing materials, cards, and other items requiring a tag or badge.

Epson Wristbands

Improve patient safety or event security with on-demand, fast-drying custom wristbands. DuraFast Label Company's blank wristbands can be personalized for virtually any purpose including identification, special events, beer and wine gardens, amusement parks, VIP access, spas and resorts, and more.

PROCESS



STEP 1

Remove backing from fitting tab (1)



STEP 2

Place the Dura-Band around wrist



STEP 3

Remove backing from fitting tab (1)



STEP 4

Remove backing from closure tab(2)



STEP 5

Affix closure tab(2)

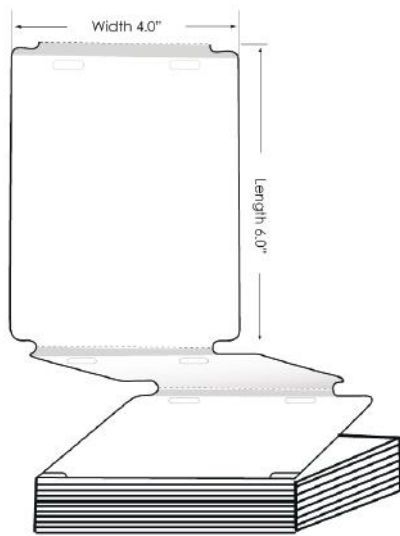
SKU#	SIZE	TYPE	ROLL COST
819011	1.25" X 11"	1.25x11 Wristband (L-WB-M3996) Single Roll - 125 Per Roll	Wristband \$ 63.43
819012	1.25" X 11"	1.25x11 Wristband (L-WB-M3996) 4 Rolls (125x4)	Wristband \$ 215.93

Matte Tags & Name Badges

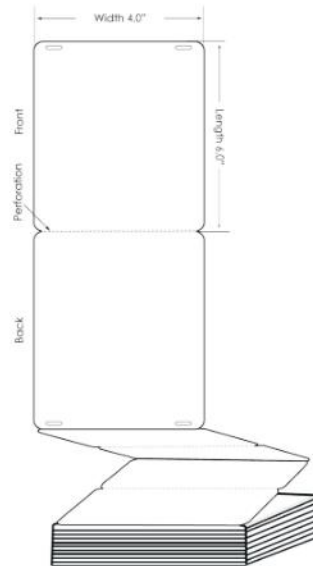
SKU#	SIZE	TYPE	ROLL COST
819005	2"	2" Continous Tag	Matte \$ 40.43
819004	2.5"	2.5" Continous Tag	Matte \$ 44.48
819003	3"	3" Continous Tag	Matte \$ 49.88
819018	3.6"	3.6" Continous Tag	Matte \$ 57.98
819002	4"	4" Continous Tag	Matte \$ 57.98
815037	4.4"	4.4 " Continous Chemical Tag (Synthetic Tag)	Chemical \$ 63.45
819001	4" x 3"	Matte Name Tags - 400 Per Roll	Matte \$ 57.98
819017	4" x 12"	4x12 Fan Fold Matte Name Tags w perf at 6"	Matte \$ 276.68
819019	4" x 6"	4"x6" Two-sided Matte , Fanfold, Round Corners , 4 holes	Matte \$ 272.63

Matte Tags and Name Badges

SKU 819016



SKU 819019



With a smooth surface and matte finish, matte tags are made from coated paper and do not have adhesive on the back. Our Epson matte tags are often used to print smudge-free name tags, security IDs, marketing materials, tabletop menus, inserts, retail tags, shelf tags, cards, and scorecards. The tag roll is made of Non-adhesive, perforated Matte inkjet printable tag stock for printing color-coded or photo ID badges for trade shows and meeting attendees and visitor badges.

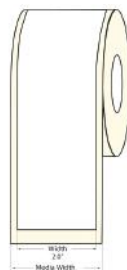
High Gloss Tags & Name Badges

SKU#	SIZE	TYPE	ROLL COST
818005	2"	2" Continuous Tag	High Gloss \$ 51.23
818004	2.5"	2.5" Continuous Tag	High Gloss \$ 57.98
818003	3"	3" Continuous Tag	High Gloss \$ 63.38
818002	4"	4" Continuous Tag	High Gloss \$ 82.28
818001	4" x 3"	High Gloss Name Tags - 400 Per Roll	High Gloss \$ 82.28
819010	4" x 3"	4x3 Fan Fold HG special tag with 1 holes - 500 Tags Per Carton	High Gloss \$ 126.83
819013	4" x 12"	4x12 Fan Fold HG Name Tags w perf at 6" - 500 Tags Per Carton	High Gloss \$ 334.73
819014	4" x 6"	4x6 Fan Fold HG Name Tags w perf at 3" - 1000 Tags Per Roll	High Gloss \$ 350.93
819015	4" x 6"	4x6 Fan Fold RFID HG Name Tags w perf at 3" - 1000 Tags Per Roll	High Gloss \$ 944.93
819016	4" x 6"	4x6 Fan Fold HG Name Tags w 2 holes, rounded corners - 500 Tags Per Roll	High Gloss \$ 215.93

DuraFast Recommends: Labels Engineered for the Epson TM-C3500

DuraFast Label Company manufactures labels specifically for the Epson TM-C3500 label printer and its pigment inks. The labels listed here are optimized for this printer and available in a variety of sizes and shapes. Custom labels are also available.

Matte Paper Labels



Standard Continuous Label Roll

DuraFast[®] Matte Labels Epson TM-C3500 & TM-C3400

Matte labels are paper-based labels with a smooth, white matte surface. The general purpose, permanent adhesive adheres beautifully to cardboard, metals and most plastics. DuraFast matte paper labels are highly water and abrasion resistant.

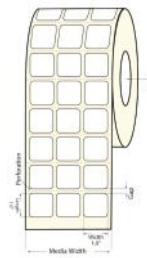
Matte labels are popular because of their versatility. They can be luxurious or natural looking depending on the design, use, and placement.

MATTE PAPER			
SKU#	SIZE	TYPE	LABELS PER ROLL
812001	2"	Continuous	-
812035	2.25"	Continuous	-
812034	2.5"	Continuous	-
812002	3"	Continuous	-
812003	3.4"	Continuous	-
812004	4"	Continuous	-
812005	4.2"	Continuous	-
812006	1x1"	Die-Cut (3 UP)	3200
812007	1.5" x 0.75"	Die-Cut (2 UP)	2750
812008	1.5" x 1"	Die-Cut (2 UP)	2150
812009	1.75" x 5"	Die-Cut	200
812010	2" x 1"	Die-Cut (2 UP)	2150
812028	2" x 1"	Die-Cut (1 UP)	1070
812011	2" x 1.5"	Die-Cut (2 UP)	1480
812012	2" x 2"	Die-Cut (2 UP)	1130
812024	2" x 6"	Die-Cut	190
812013	3" x 1"	Die-Cut	1070
812014	3" x 1.5"	Die-Cut	740
812015	3" x 2"	Die-Cut	565
812025	3" x 4" NP	Die-Cut	290
812016	3" x 5"	Die-Cut	230
812029	3" x 10"	Die-Cut	110
812017	4" x 1"	Die-Cut	1070
812018	4" x 1 .5"	Die-Cut	730
812019	4" x 2"	Die-Cut	560
812020	4" x 3"	Die-Cut	380
812021	4" x 4"	Die-Cut	290
812026	4" x 8"	Die-Cut	140
812027	4" x 8" FF	Die-Cut	500
812022	4" x 6"	Die-Cut	190
812023	4" x 6.5"	Die-Cut	180
812030	2" Circle	Die-Cut (2 UP)	1000
812031	2.5" Circle	Die-Cut	450
812032	3" Circle	Die-Cut	380
812033	4" Circle	Die-Cut	260

*NP - Non-Perforated

*FF - Fan Fold in Carton

High Gloss Paper Labels



Standard 3UP Die-Cut Label Roll

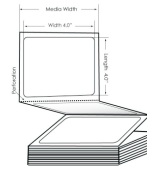
DuraFast[®] High Gloss Labels Epson **TM-C3500** & **TM-C3400**

High gloss labels are paper-based labels with a smooth, shiny and bright white surface. The general purpose, permanent adhesive adheres beautifully to cardboard, metals and most plastics. DuraFast high gloss paper labels are highly water and abrasion resistant. They reflect light and help colors pop. Gloss labels are popular for their polished and professional appearance.

HIGH GLOSS			
SKU#	SIZE	TYPE	LABELS PER ROLL
811033	1" with Vertical Slits	Continuous	-
811001	2"	Continuous	-
811040	2.32"	Continuous	-
811037	2.5"	Continuous	-
811038	2.75"	Continuous	-
811002	3"	Continuous	-
811003	3.4"	Continuous	-
811039	3.5"	Continuous	-
811004	4"	Continuous	-
811005	4.2"	Continuous	-
811006	1"x1"	Die-Cut (3 UP)	3200
811036	1.18"x2.5"	Die-Cut	1000
811007	1.5"x.75"	Die-Cut (2 UP)	2750
811008	1.5"x1"	Die-Cut (2 UP)	2150
811009	1.75"x1"	Die-Cut	200
811010	2"x1"	Die-Cut (2 UP)	2150
811032	2"x1"	Die-Cut	1070
811011	2x1.5"	Die-Cut (2 UP)	1480
811012	2"x2"	Die-Cut	1130
811044	2"x4"	Die-Cut (2 UP)	290
811024	2"x6"	Die-Cut (2 UP)	190
811034	2.5"x1.5"	Die-Cut	730
811013	3"x1"	Die-Cut	1070
811014	3"x1.5"	Die-Cut	740
811015	3"x2"	Die-Cut	585
811026	3"x4" (NP)	Die-Cut	290
811016	3"x5"	Die-Cut	230
811025	3"x10"	Die-Cut	110
811035	3.5"x1.5"	Die-Cut	730
811017	4"x1"	Die-Cut	1070
811018	4"x1.5"	Die-Cut	740
811019	4"x2"	Die-Cut	580
811020	4"x3"	Die-Cut	380
811021	4"x4"	Die-Cut	290
811022	4"x6"	Die-Cut	190
811023	4"x6.5"	Die-Cut	180
811027	4"x8"	Die-Cut	140
811028	2" Circle	Die-Cut	1000
811029	2.5" Circle	Die-Cut	450
811030	3" Circle	Die-Cut	380
811031	4" Circle	Die-Cut	260

MATTE BOPP LABELS

4.0" x 4.0" Die Cut Fan Folded



Standard 1UP Die-Cut Fan Fold Label

DuraFast[®] Matte BOPP Labels for Epson **TM-C3500** & **TM-C3400**

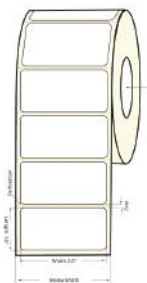
Matte BOPP stands for Biaxially Oriented Polypropylene, a type of polypropylene film that has been stretched and extruded. The BOPP process results in a strong material that is easy to coat, print, and laminate. The matte polypropylene film (synthetic) labels offer water, grease, oil, flex-crack, and puncture resistance. In addition, these labels won't shrink or wrinkle with changes to the environment and they result in crisp, clear text and images. The Epson TM-C3500 makes it easy to label your products and the matte BOPP finish adds a premium touch to your label.

MATTE BOPP			
SKU#	SIZE	TYPE	LABELS PER ROLL
814001	2"	Continuous	-
814002	3"	Continuous	-
814003	3.4	Continuous	-
814004	4"	Continuous	-
814005	4.2"	Continuous	-
814006	1"x1"	Die-Cut (3 UP)	3200
814036	1.25"x0.75" (NP)	Die-Cut	1200
814007	1.5"x.75"	Die-Cut (2 UP)	2750
814008	1.5"x1"	Die-Cut (2 UP)	2150
814009	1.75"x5"	Die-Cut	200
814010	2"x1"	Die-Cut (2 UP)	2150
814011	2"x1.5"	Die-Cut (2 UP)	1480
814012	2"x2"	Die-Cut (2 UP)	1130
814013	3"x1"	Die-Cut	1070
814014	3"x1.5"	Die-Cut	740
814015	3"x2"	Die-Cut	565
814016	3"x5"	Die-Cut	230
814038	3.5"x1.125" (5 mm gap, 3.625 media width)	Die-Cut	850
814017	4"x1"	Die-Cut	1070
814018	4"x1.5"	Die-Cut	730
814019	4"x2"	Die-Cut	560
814020	4"x3"	Die-Cut	380
814021	4"x4"	Die-Cut	290
814037	4"x4" FF	Die-Cut (Removable Adhesive)*	2000
814022	4"x6"	Die-Cut	190
814023	4"x6.5"	Die-Cut	180
814027	2"	Die-Cut (2 UP)	1000
814028	2.5"	Die-Cut	450
814029	3"	Die-Cut	380
814030	4"	Die-Cut	260

*NP - Non-Perforated

*FF - Fan Fold

CHEMICAL LABELS



Standard 1UP Die-Cut Label Roll

DuraFast[®] Chemical Labels for Epson **TM-C3500** & **TM-C3400**

Businesses need to meet the GHSBS5609 certification to ensure that any chemical or drum labels are able to last in unforgiving environments, particularly those that are submerged underwater for extended periods of time. DuraFast chemical labels have been GHSBS5609-certified by Smithers Pira when printed with Epson color label printers. Under GHSBS5609 certification, labels must be able to withstand a three-month saltwater submersion.

CHEMICAL			
SKU#	SIZE	TYPE	LABELS PER ROLL
815001	2"	Continuous	-
815002	3"	Continuous	-
815003	3.4"	Continuous	-
815004	4"	Continuous	-
815038	4" x 12"	Continuous	-
815029	2"	Die-Cut (3 UP)	2880
815030	2.5"	Die-Cut (2 UP)	2460
815031	3"	Die-Cut (2 UP)	1920
815032	4"	Die-Cut	1400
815010	2" x 1"	Die-Cut	200
815011	2" x 1.5"	Die-Cut (2 UP)	1920
815012	2" x 2"	Die-Cut (2 UP)	1320
815024	2" x 6"	Die-Cut (2 UP)	1000
815043	2.25" x 1.75"	Die-Cut	175
815041	2.5"x1.25" NP	Die-Cut	550
815042	2.5" x 1.5" NP	Die-Cut	650
815013	3" x 1"	Die-Cut	750
815014	3" x 1.5"	Die-Cut	950
815015	3" x 2" NP	Die-Cut	660
815016	3" x 5"	Die-Cut	500
815044	3.5" x 2.5" NP	Die-Cut	200
815017	4" x 1"	Die-Cut	400
815018	4" x 1.5"	Die-Cut	950
815019	4" x 2"	Die-Cut	650
815020	4" x 3" NP	Die-Cut	500
815025	4" x 3"	Die-Cut	340
815021	4" x 4"	Die-Cut	340
815022	4" x 6"	Die-Cut	260
815023	4" x 6.5"	Die-Cut	175
815026	4" x 8" NP	Die-Cut	160
815040	4" x 11" NP	Die-Cut	130
815005	4.2"	Die-Cut	95
815006	1" x 1"	Die-Cut	80
815007	1.5" x .75"	Die-Cut	500
815008	1.5" x 1"	Die-Cut	400
815039	1.75" x 0.625"	Die-Cut	340
815009	1.75" x 5" NP	Die-Cut	250

*NP - Non-Perforated



WE ARE LABEL PRINTING EXPERTS!

Free label cost analysis

Find out just how affordable label production is with the Epson TM-C3500

Large selection of media and printing supplies available

One-stop shop for color label printing solutions


Custom label solutions for any specific usage


We can make custom labels to your specifications



Argon Technologies

 10-8707 Dufferin St, Suite 415 Thornhill ON L4J 0A6

 +1 (877) 842-8486

 10-8707 Dufferin St, Suite 415
Thornhill ON L4J 0A6

 sales@argonstore.ca